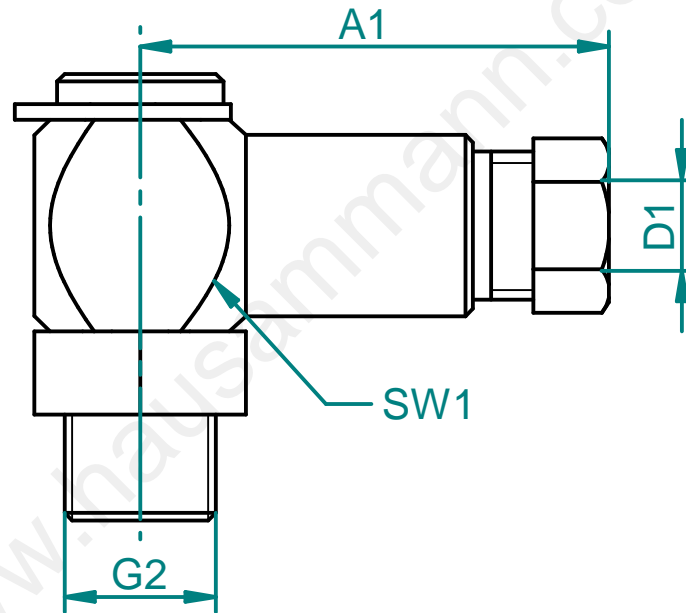


General tolerances ISO 2768-m						Index	Date	Visum	Modification	Index	Date	Visum	Modification
Basic-size	...6	> 6 ...30	> 30 ...120	>120 ...400	> 400 ...1000								
medium	±0.1	±0.2	±0.3	±0.5	±0.8								



Specifications points D,K,H	
D= doc.points	
K= critical	
H= main	

Material:		Scale		Date	Visum	Phone	
HAUSAMMANN KOMONENTEN PRODUKTION SYSTEME		2:1		plotted	06.07.11	E.Z	
				checked			
				76.146		Solid Edge	Format A4
Accord-draw.no.:	Origin-draw.no.:	© 2010, Für dieses Dokument behalten wir uns alle Rechte vor.					© 2010, Nous nous reservons tous les droits sur ce document
Replacement for:		© 2010, We reserve all rights in connection with this document					